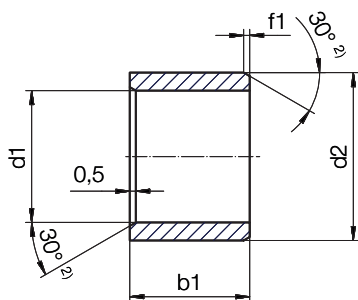


## iglidur® M250 | 產品範圍

## 軸襯套 (型號 S)



<sup>2)</sup> 厚度 < 1 mm : 導角 = 20°

倒角和 d1 的關係

d1 [mm]:	Ø 1-6	Ø 6-12	Ø 12-30	Ø > 30
f [mm]:	0.3	0.5	0.8	1.2

尺寸 [mm]

d1	d1- 公差 <sup>3)</sup>	d2	b1 h13	產品型號
1.0		3.0	2.0	MSM-0103-02
1.5		4.0	2.0	MSM-0104-02
2.0		5.0	1.0	MSM-0205-01
2.0		5.0	2.0	MSM-0205-02
2.0	+0.020	5.0	3.0	MSM-0205-03
2.5	+0.080	6.0	3.0	MSM-0206-03
3.0		5.0	3.0	MSM-0305-03
3.0		5.0	4.0	MSM-0305-04
3.0		6.0	3.0	MSM-0306-03
3.0		6.0	4.0	MSM-0306-04
4.0		5.5	4.0	MSM-0405-04
4.0		5.5	6.0	MSM-0405-06
4.0		7.0	3.0	MSM-0407-03
4.0		7.0	4.0	MSM-0407-04
4.0		7.0	6.0	MSM-0407-06
4.0		8.0	4.0	MSM-0408-04
4.0		8.0	6.0	MSM-0408-06
5.0		7.0	5.0	MSM-0507-05
5.0	+0.030	7.0	10.0	MSM-0507-10
5.0	+0.105	8.0	4.0	MSM-0508-04
5.0		8.0	5.0	MSM-0508-05
5.0		8.0	8.0	MSM-0508-08
5.0		9.0	5.0	MSM-0509-05
5.0		9.0	8.0	MSM-0509-08
6.0		8.0	6.0	MSM-0608-06
6.0		8.0	8.0	MSM-0608-08
6.0		8.0	10.0	MSM-0608-10
6.0		9.0	6.0	MSM-0609-06

產品代碼

類型 尺寸 [mm]

**M S M - 0103 - 02**

iglidur® 材質	型號 S	公制	內徑 - Ø d1	外徑 - Ø d2	長度 b1
-------------	------	----	-----------	-----------	-------

**i** DIN 1850 標準尺寸和特殊尺寸

**inch** 也可選用英制尺寸  
▶ 見頁碼 1411

d1	d1- 公差 <sup>3)</sup>	d2	b1 h13	產品型號
6.0		10.0	2.5	MSM-0610-02
6.0		10.0	4.0	MSM-0610-04
6.0		10.0	6.0	MSM-0610-06
6.0	+0.030	10.0	8.0	MSM-0610-08
6.0	+0.105	10.0	10.0	MSM-0610-10
6.0		11.0	4.0	MSM-0611-04
6.0		12.0	6.0	MSM-0612-06
6.0		12.0	10.0	MSM-0612-10
7.0		10.0	5.0	MSM-0710-05
7.0		10.0	8.0	MSM-0710-08
7.0		10.0	10.0	MSM-0710-10
7.0		11.0	16.0	MSM-0711-16
8.0		10.0	6.0	MSM-0810-06
8.0		10.0	8.0	MSM-0810-08
8.0		10.0	10.0	MSM-0810-10
8.0		10.0	12.0	MSM-0810-12
8.0		11.0	6.0	MSM-0811-06
8.0	+0.040	11.0	8.0	MSM-0811-08
8.0	+0.130	11.0	12.0	MSM-0811-12
8.0		12.0	4.0	MSM-0812-04
8.0		12.0	6.0	MSM-0812-06
8.0		12.0	8.0	MSM-0812-08
8.0		12.0	10.0	MSM-0812-10
8.0		12.0	12.0	MSM-0812-12
8.0		14.0	6.0	MSM-0814-06
8.0		14.0	10.0	MSM-0814-10
9.0		12.0	14.0	MSM-0912-14
10.0		12.0	8.0	MSM-1012-08

<sup>3)</sup> 按壓組裝後 測試方法 ▶ 頁碼 57

## 軸襯套 (型號 S)

尺寸 [mm]

d1	d1- 公差 <sup>3)</sup>	d2	b1 h13	產品型號	d1	d1- 公差 <sup>3)</sup>	d2	b1 h13	產品型號
10.0		12.0	10.0	MSM-1012-10	16.0		18.0	20.0	MSM-1618-20
10.0		12.0	12.0	MSM-1012-12	16.0		18.0	25.0	MSM-1618-25
10.0		12.0	15.0	MSM-1012-15	16.0		20.0	20.0	MSM-1620-20
10.0		12.0	20.0	MSM-1012-20	16.0		20.0	25.0	MSM-1620-25
10.0		14.0	6.0	MSM-1014-06	16.0		20.0	30.0	MSM-1620-30
10.0		14.0	8.0	MSM-1014-08	16.0		21.0	7.0	MSM-1621-07
10.0	+0.040	14.0	10.0	MSM-1014-10	16.0		22.0	12.0	MSM-1622-12
10.0	+0.130	14.0	16.0	MSM-1014-16	16.0		22.0	15.0	MSM-1622-15
10.0		16.0	6.0	MSM-1016-06	16.0	+0.050	22.0	16.0	MSM-1622-16
10.0		16.0	8.0	MSM-1016-08	16.0	+0.160	22.0	20.0	MSM-1622-20
10.0		16.0	10.0	MSM-1016-10	16.0		22.0	25.0	MSM-1622-25
10.0		16.0	16.0	MSM-1016-16	18.0		20.0	15.0	MSM-1820-15
10.0		16.0	50.0	MSM-1016-50	18.0		20.0	20.0	MSM-1820-20
12.0		14.0	10.0	MSM-1214-10	18.0		20.0	25.0	MSM-1820-25
12.0		14.0	12.0	MSM-1214-12	18.0		24.0	12.0	MSM-1824-12
12.0		14.0	15.0	MSM-1214-15	18.0		24.0	20.0	MSM-1824-20
12.0		14.0	20.0	MSM-1214-20	18.0		24.0	30.0	MSM-1824-30
12.0		16.0	15.0	MSM-1216-15	18.0		24.0	40.0	MSM-1824-40
12.0		16.0	20.0	MSM-1216-20	20.0		23.0	10.0	MSM-2023-10
12.0		18.0	8.0	MSM-1218-08	20.0		23.0	15.0	MSM-2023-15
12.0		18.0	10.0	MSM-1218-10	20.0		23.0	20.0	MSM-2023-20
12.0		18.0	15.0	MSM-1218-15	20.0		23.0	25.0	MSM-2023-25
12.0		18.0	20.0	MSM-1218-20	20.0		23.0	30.0	MSM-2023-30
13.0		15.0	10.0	MSM-1315-10	20.0		25.0	14.0	MSM-2025-14
13.0		15.0	20.0	MSM-1315-20	20.0		25.0	20.0	MSM-2025-20
14.0		16.0	8.5	MSM-1416-085	20.0		25.0	30.0	MSM-2025-30
14.0		16.0	10.0	MSM-1416-10	20.0		26.0	12.0	MSM-2026-12
14.0		16.0	15.0	MSM-1416-15	20.0		26.0	15.0	MSM-2026-15
14.0	+0.050	16.0	20.0	MSM-1416-20	20.0		26.0	20.0	MSM-2026-20
14.0	+0.160	16.0	25.0	MSM-1416-25	20.0		26.0	30.0	MSM-2026-30
14.0		16.0	29.0	MSM-1416-29	22.0		24.0	8.0	MSM-2224-08
14.0		18.0	20.0	MSM-1418-20	22.0	+0.065	25.0	15.0	MSM-2225-15
14.0		20.0	10.0	MSM-1420-10	22.0	+0.195	25.0	20.0	MSM-2225-20
14.0		20.0	15.0	MSM-1420-15	22.0		25.0	25.0	MSM-2225-25
14.0		20.0	20.0	MSM-1420-20	22.0		25.0	30.0	MSM-2225-30
15.0		17.0	10.0	MSM-1517-10	22.0		26.0	15.0	MSM-2226-15
15.0		17.0	15.0	MSM-1517-15	22.0		28.0	10.0	MSM-2228-10
15.0		17.0	20.0	MSM-1517-20	22.0		28.0	15.0	MSM-2228-15
15.0		17.0	25.0	MSM-1517-25	22.0		28.0	20.0	MSM-2228-20
15.0		21.0	10.0	MSM-1521-10	22.0		28.0	30.0	MSM-2228-30
15.0		21.0	15.0	MSM-1521-15	24.0		27.0	15.0	MSM-2427-15
15.0		21.0	20.0	MSM-1521-20	24.0		27.0	20.0	MSM-2427-20
15.0		21.0	23.0	MSM-1521-23	24.0		27.0	25.0	MSM-2427-25
16.0		18.0	12.0	MSM-1618-12	24.0		27.0	30.0	MSM-2427-30
16.0		18.0	15.0	MSM-1618-15	24.0		30.0	15.0	MSM-2430-15

<sup>3)</sup> 按壓組裝後 測試方法 ▶ 頁碼 57

## 尺寸 [mm]

d1	d1- 公差 <sup>3)</sup>	d2	b1 h13	產品型號	d1	d1- 公差 <sup>3)</sup>	d2	b1 h13	產品型號
24.0		30.0	20.0	MSM-2430-20					
24.0		30.0	30.0	MSM-2430-30	30.0	+0.065	38.0	4.5	MSM-3038-045
25.0		28.0	12.0	MSM-2528-12					
25.0		28.0	15.0	MSM-2528-15	30.0	+0.080	38.0	17.0	MSM-3038-17
25.0		28.0	20.0	MSM-2528-20	30.0	+0.240			
25.0		28.0	25.0	MSM-2528-25	30.0	+0.065	38.0	20.0	MSM-3038-20
25.0		28.0	30.0	MSM-2528-30	30.0	+0.195	38.0	30.0	MSM-3038-30
25.0		30.0	20.0	MSM-2530-20	30.0		38.0	40.0	MSM-3038-40
25.0		30.0	30.0	MSM-2530-30	30.0		40.0	40.0	MSM-3040-40
25.0		30.0	40.0	MSM-2530-40	32.0		40.0	20.0	MSM-3236-20
25.0		32.0	10.0	MSM-2532-10	32.0		40.0	20.0	MSM-3236-30
25.0		32.0	12.0	MSM-2532-12	32.0		40.0	20.0	MSM-3236-40
25.0		32.0	20.0	MSM-2532-20	32.0		40.0	20.0	MSM-3240-20
25.0		32.0	30.0	MSM-2532-30	32.0		40.0	30.0	MSM-3240-30
25.0		32.0	35.0	MSM-2532-35	32.0		40.0	40.0	MSM-3240-40
25.0		32.0	40.0	MSM-2532-40	32.0		40.0	40.0	MSM-3240-40
26.0	+0.065	30.0	20.0	MSM-2630-20	35.0		39.0	20.0	MSM-3539-20
26.0	+0.195	32.0	30.0	MSM-2632-30	35.0		39.0	30.0	MSM-3539-30
27.0		34.0	20.0	MSM-2734-20	35.0		39.0	40.0	MSM-3539-40
27.0		34.0	30.0	MSM-2734-30	35.0		39.0	50.0	MSM-3539-50
27.0		34.0	40.0	MSM-2734-40	40.0	+0.080	42.0	50.0	MSM-3542-50
28.0		32.0	20.0	MSM-2832-20	40.0	+0.240	44.0	50.0	MSM-4044-50
28.0		32.0	25.0	MSM-2832-25	40.0		44.0	20.0	MSM-4044-20
28.0		32.0	30.0	MSM-2832-30	40.0		44.0	30.0	MSM-4044-30
28.0		33.0	20.0	MSM-2833-20	40.0		44.0	40.0	MSM-4044-40
28.0		36.0	20.0	MSM-2836-20	40.0		44.0	50.0	MSM-4044-50
28.0		36.0	30.0	MSM-2836-30	40.0		46.0	20.0	MSM-4046-20
28.0		36.0	40.0	MSM-2836-40	45.0		50.0	20.0	MSM-4550-20
30.0		34.0	20.0	MSM-3034-20	45.0		50.0	30.0	MSM-4550-30
30.0		34.0	25.0	MSM-3034-25	45.0		50.0	40.0	MSM-4550-40
30.0		34.0	30.0	MSM-3034-30	45.0		50.0	50.0	MSM-4550-50
30.0		34.0	40.0	MSM-3034-40	45.0		50.0	50.0	MSM-4550-50
30.0		35.0	20.0	MSM-3035-20	50.0		55.0	20.0	MSM-5055-20
30.0		35.0	40.0	MSM-3035-40	50.0		55.0	30.0	MSM-5055-30
30.0	+0.032 +0.102	38.0	3.0	MSM-3038-03	50.0		55.0	40.0	MSM-5055-40
					50.0		55.0	50.0	MSM-5055-50
					50.0		55.0	60.0	MSM-5055-60
					75.0	+0.100 +0.290	80.0	60.0	MSM-7580-60

<sup>3)</sup> 按壓組裝後 測試方法 ▶ 頁碼 57



### 沒有找到您要的尺寸？

您是否需要其他長度、尺寸或公差？您在尋找一個特殊的設計或者取代您應用的其他解決方案？請與我們聯絡。易格斯傾聽您的需求，並在短時間內迅速為您提供解決方案。



### 更多尺寸可現貨供應

超過 300 個尺寸可供選擇。線上搜尋您所需的軸承。

▶ [www.igus.com.tw/iglidur-specialbearings](http://www.igus.com.tw/iglidur-specialbearings)